

DE LA RUE
CASH SYSTEMS



InstaChange

Automatic Coin Dispenser



InstaChange

Automatic Coin Dispenser



The new De La Rue **InstaChange** automatic coin dispenser features enhanced technology that results in efficient and accurate coin dispensing. The dispenser holds \$150 in coins – more than any other coin dispenser in the industry!

Revolutionary Design

An innovative design keeps moving parts to a minimum, resulting in lower cost of ownership and increased reliability.

The unique shape also provides greater coin capacity well beyond any competitive units on the market. That means the unit will run longer and require less employee support all day, every day.

The universal design supports a variety of global coin set magazines, making it easy for owners to support the product.

Intelligent Functionality

The **InstaChange** automatically dispenses the correct amount of change back to your customers in the least amount of coin required unless you tell it otherwise. And the **InstaChange** can automatically substitute when a coin channel is low, and features visual **and** audible low coin level indicators.

Easy to Use

The top-loading circular magazine is so stable it is easily filled in its upright position with either loose or rolled coins. Balancing is aided through the use of calibration indicators.

Every unit is shipped with common software drivers that will allow the **InstaChange** to quickly integrate with most Point Of Sale systems in use today. An RS232 and USB port is available as the standard interface configuration.

Compact

The ergonomic design of the **InstaChange** coin magazine makes for easy transport, storage and placement. Conveniently fitting around most standard Point Of Sale systems, the **InstaChange** has been aesthetically designed to compliment your retail environment.

De La Rue Cash Systems coin and currency processing products are the direct result of over 100 years of experience in the design, manufacturing and distribution of world class coin processing machines. Worldwide service and support is provided through De La Rue Cash Systems network of branch offices and authorized distributors.

Technical Specifications

Dispensing coin range

Virtually all coin sets

Dispense speed

Average 2-3 seconds

Capacity (U.S. coin)

\$149.35 / \$.99 dispense

\$.01 5 channels

\$.05 2 channels

\$.10 2 channels

\$.25 4 channels

Connectivity

RS232 or USB

Power supply

115-230 VAC (+/-10%) 50/60 Hz

Standard features

Rotary magazine

Universal drive base

Single coin ejection point

Balanced coin depletion

Plug and play connectivity

Intelligent substitution

Audible alert

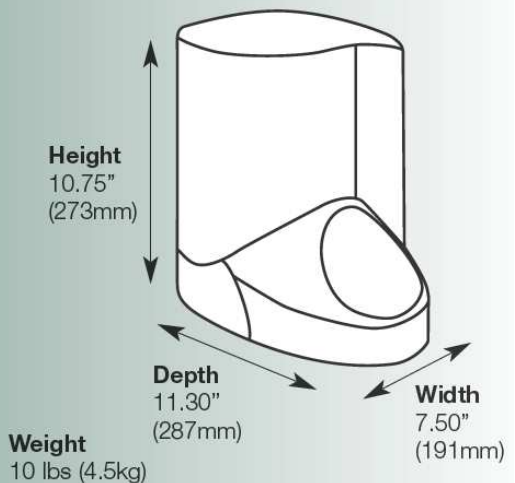
LED indicators

Solid locking cover

Options

Additional coin magazines for quick change out

Dimensions



Authorized Distributor:



Ready Distribution – California

16830 Edwards Road

Cerritos, California 90703

Fax: 562-921-8405

Ready Distribution – Oregon

8303 SW Cirrus Drive

Beaverton, OR 97008

Fax: 503-620-8173

Toll Free: 800-255-6676

sales@readypos.com

www.readypos.com



BS EN ISO 9001
FM 689



This leaflet is for general guidance only. De La Rue Cash Systems is pleased to give detailed specifications of its products in this leaflet. As the Company's products and services are continually being developed, it is important for the customer to check that the information contained herein includes the latest particulars. This document is not part of a contract or license save insofar as may be expressly agreed.

Copyright © 2004 De La Rue Cash Systems Inc.

De La Rue and the Founders Head Device is a registered trademark of De La Rue plc
CDA is a registered trademark of De La Rue Inc.